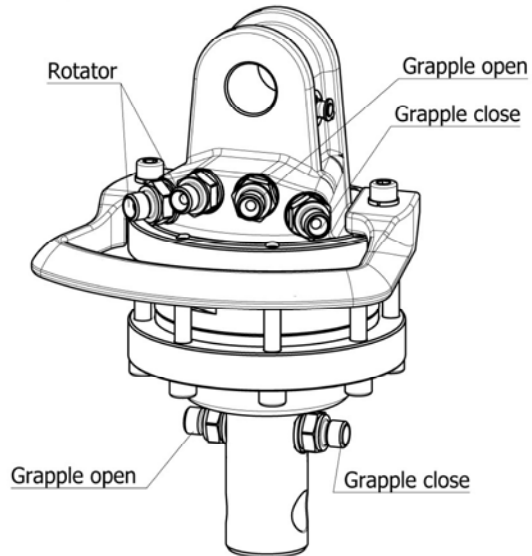
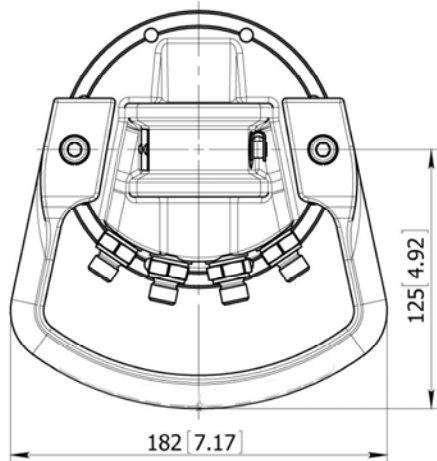
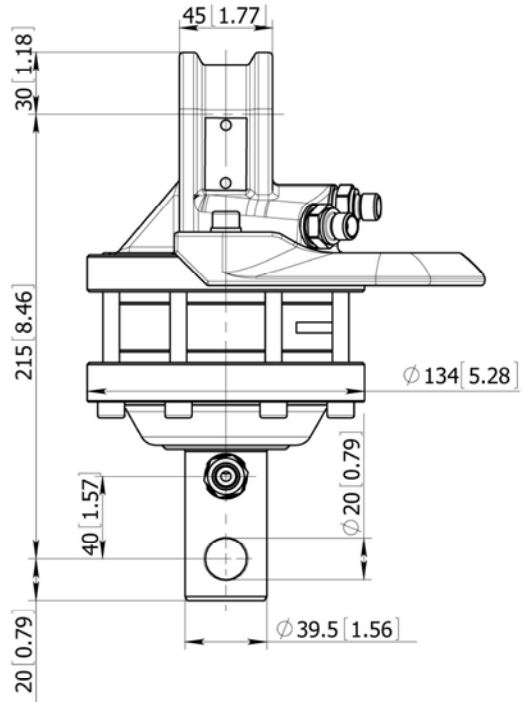
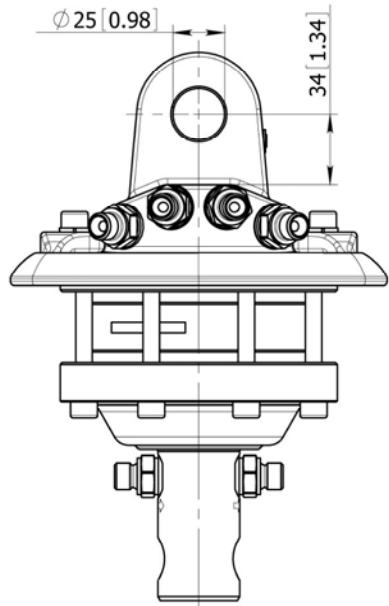


ROTATOR GR10A



Technical data

Rotation	Unlimited
Max axial load static, KN (lbf)	10 (2250)
Max axial load dynamic, KN (lbf)	5 (1125)
Torque at 25Mpa (3625psi), Nm (lb ft)	450 (332)
Rec oilflow, l/min (US gallon)	10 (2.6)
Weight, kg (lb)	10 (22)

Max working pressure:

Connection:

Rotator	←R→	Max 25 MPa (3625 psi)	G1/4
Grapple / Tool open	←G→	Max 20 MPa (2900 psi)	G1/4
Grapple / Tool close	→G←	Max 30 MPa (4350 psi)	G1/4

BOSSWORTH INDUSTRIAL GROUP LIMITED

Add: No.75 Beima Road Zhifu District Yantai City Shandong China.

Tel :+86-18660535723

Fax:+86-535-6242686

Email :bsw@bossworth.net

www.bossworth.net

BOSSWORTH