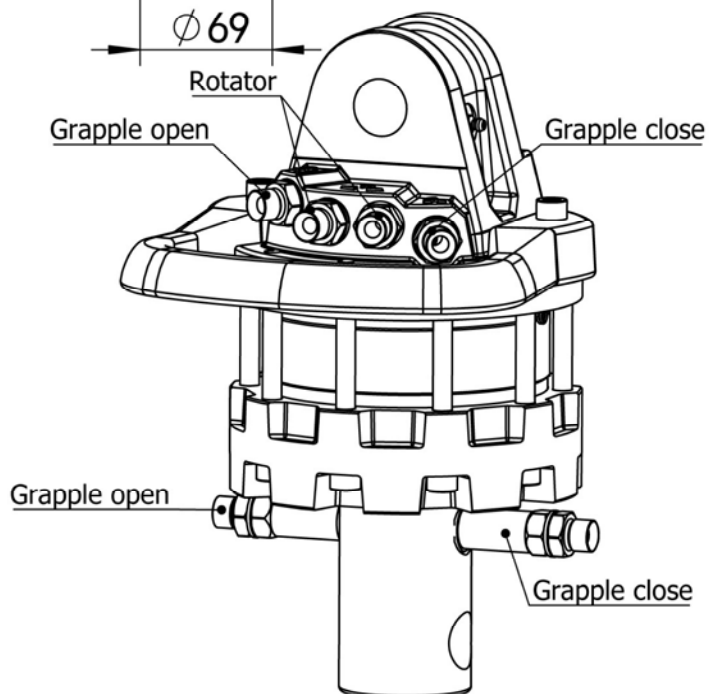
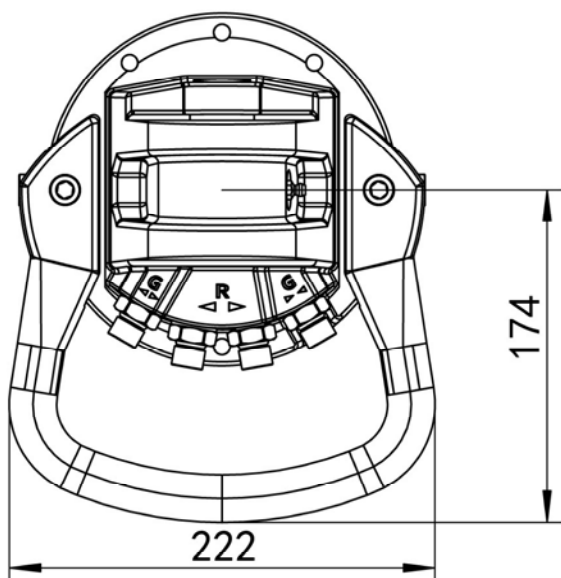
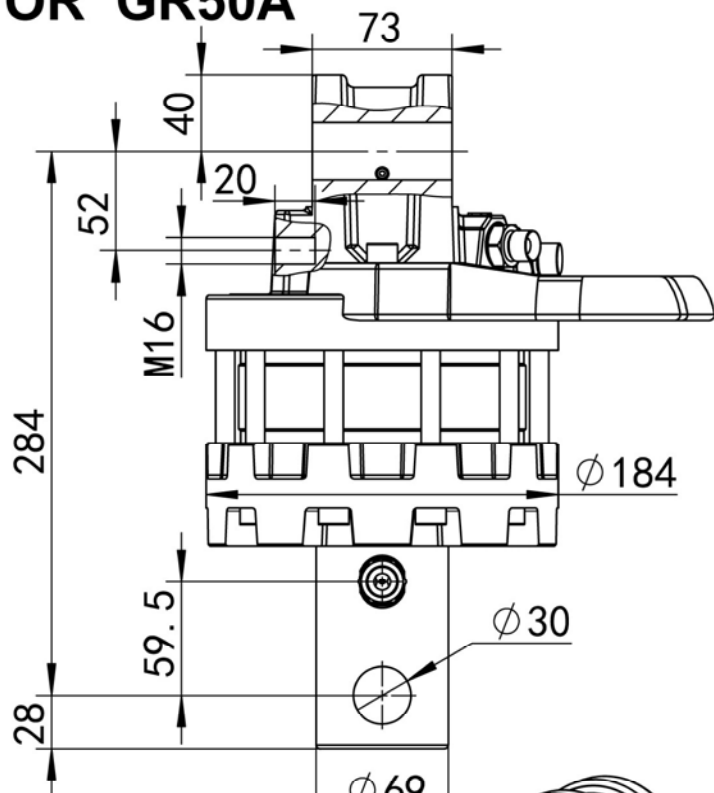
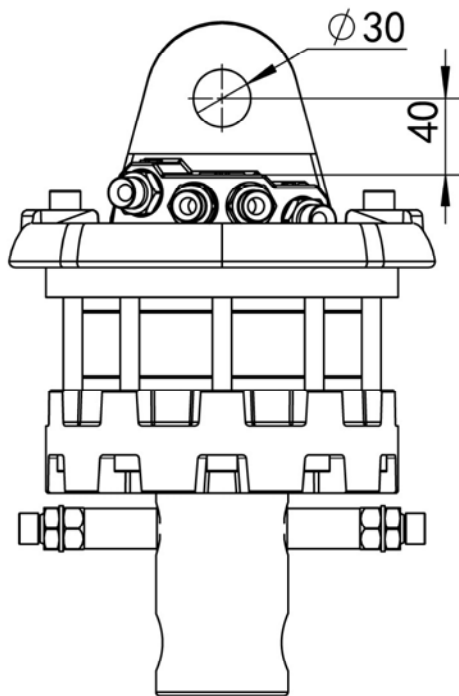


ROTATOR GR50A



Technical data

Rotation

Max axial load static, KN (lbf)

Max axial load dynamic, KN (lbf)

Torque at 25Mpa (3625psi), Nm (lb ft)

Rec oilflow, l/min (US gallon)

Weight, kg (lb)

Unlimited

55KN (12367 lbf)

25KN (5621 lbf)

1300Nm (959 lbft)

22l/min (5.8gal/min)

29KG (64 lb)

Max working pressure:

Connection:

Rotator ←R→ Max 25 MPa (3625 psi) G3/8

Grapple / Tool open ←G→ Max 20 MPa (2900 psi) G3/8

Grapple / Tool close →G← Max 30 MPa (4350 psi) G3/8

BOSSWORTH INDUSTRIAL GROUP LIMITED

Add: No.75 Beima Road Zhifu District Yantai City Shandong China.

Tel :+86-18660535723

Fax:+86-535-6242686

Email:bsw@bossworth.net

www.bossworth.net

BOSSWORTH