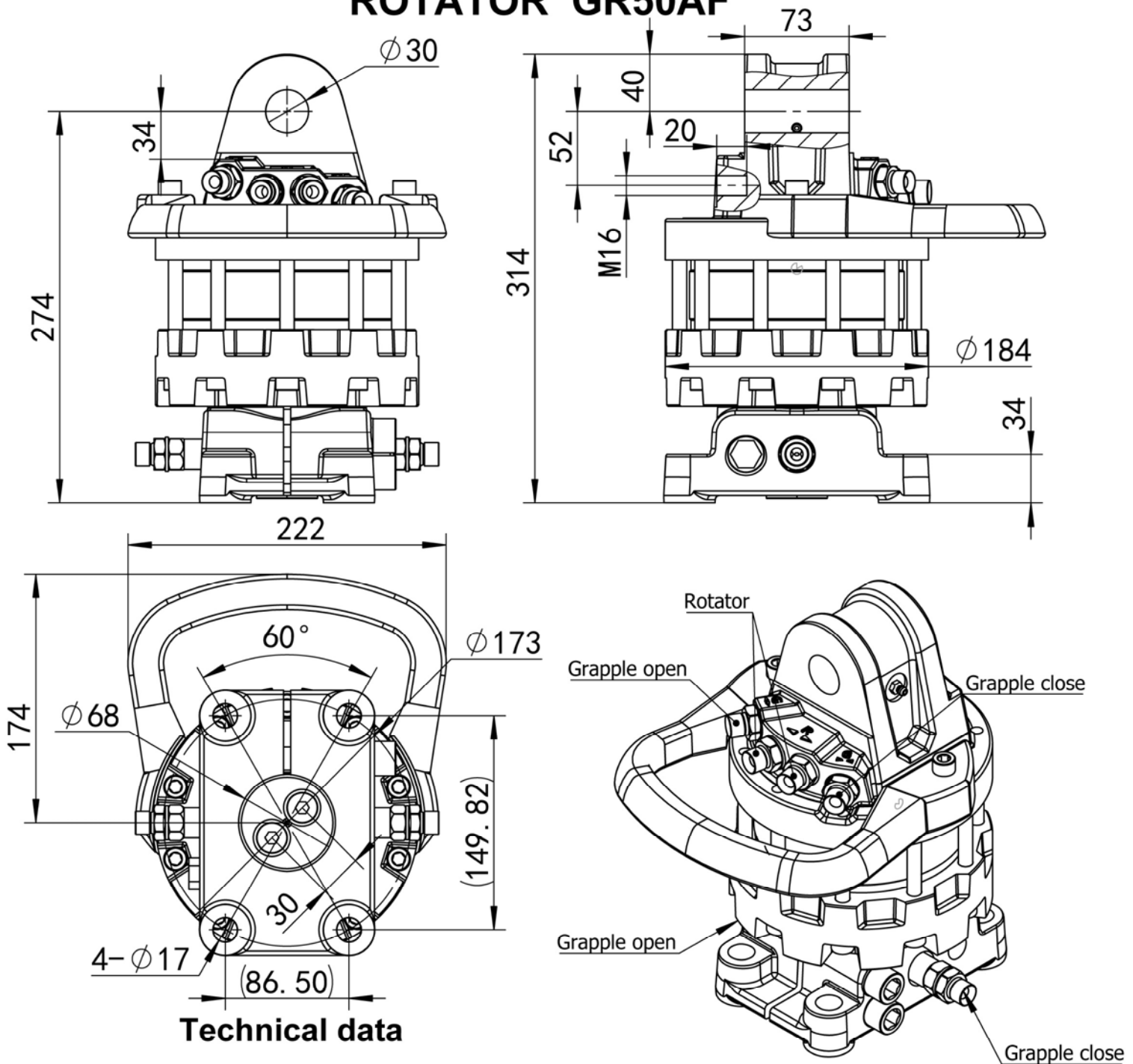


# ROTATOR GR50AF



## Technical data

### Rotation

Max axial load static, KN (lbf)  
 Max axial load dynamic, KN (lbf)  
 Torque at 25Mpa (3625psi), Nm (lb ft)  
 Rec oilflow, l/min (US gallon)  
 Weight, kg (lb)

### Unlimited

55KN (12367 lbf)  
 25KN (5621 lbf)  
 1300Nm (959 lbft)  
 22l/min (5.8gal/min)  
 36KG (79 lb)

### Max working pressure:

### Connection:

Rotator	←R→	Max 25 MPa (3625 psi)	G3/8
Grapple / Tool open	←G→	Max 20 MPa (2900 psi)	G3/8
Grapple / Tool close	→G←	Max 30 MPa (4350 psi)	G3/8

BOSSWORTH INDUSTRIAL GROUP LIMITED

Add: No.75 Beima Road Zhifu District Yantai City Shandong China.

Tel :+86-18660535723

Fax:+86-535-6242686

Email :bsw@bossworth.net

www.bossworth.net

**BOSSWORTH**