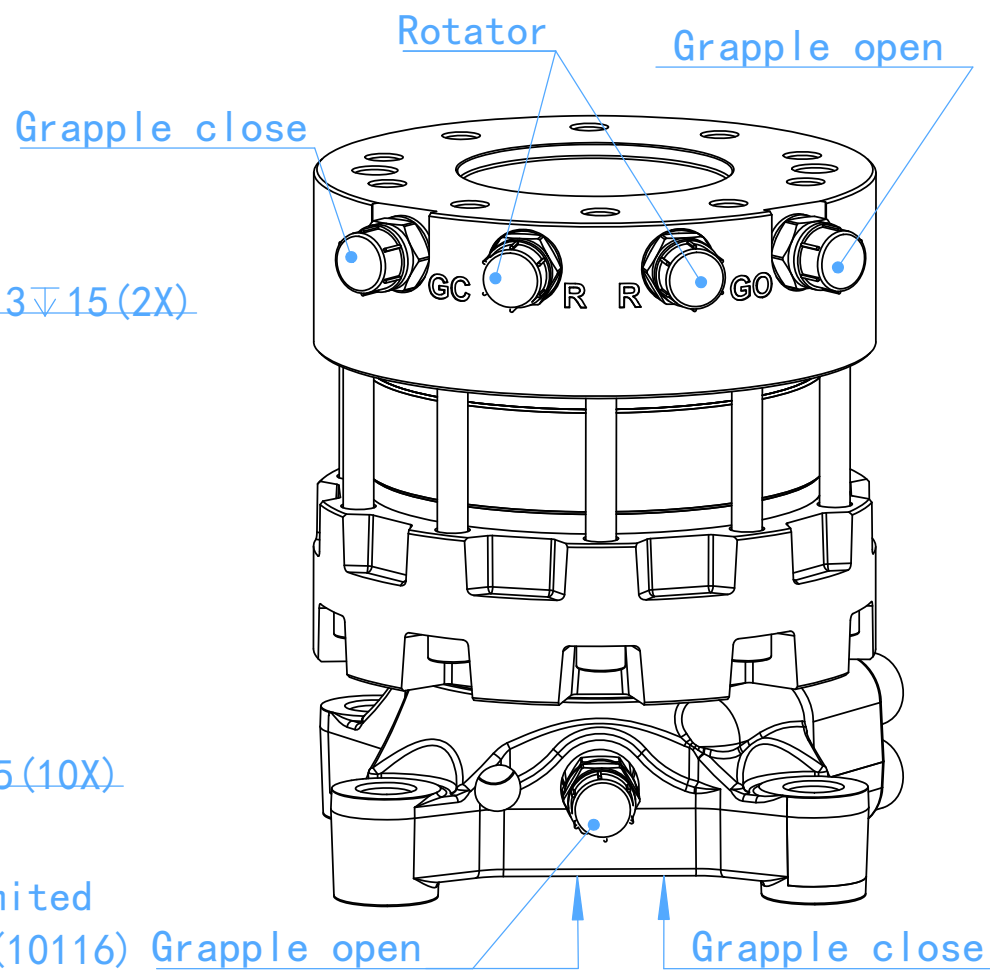
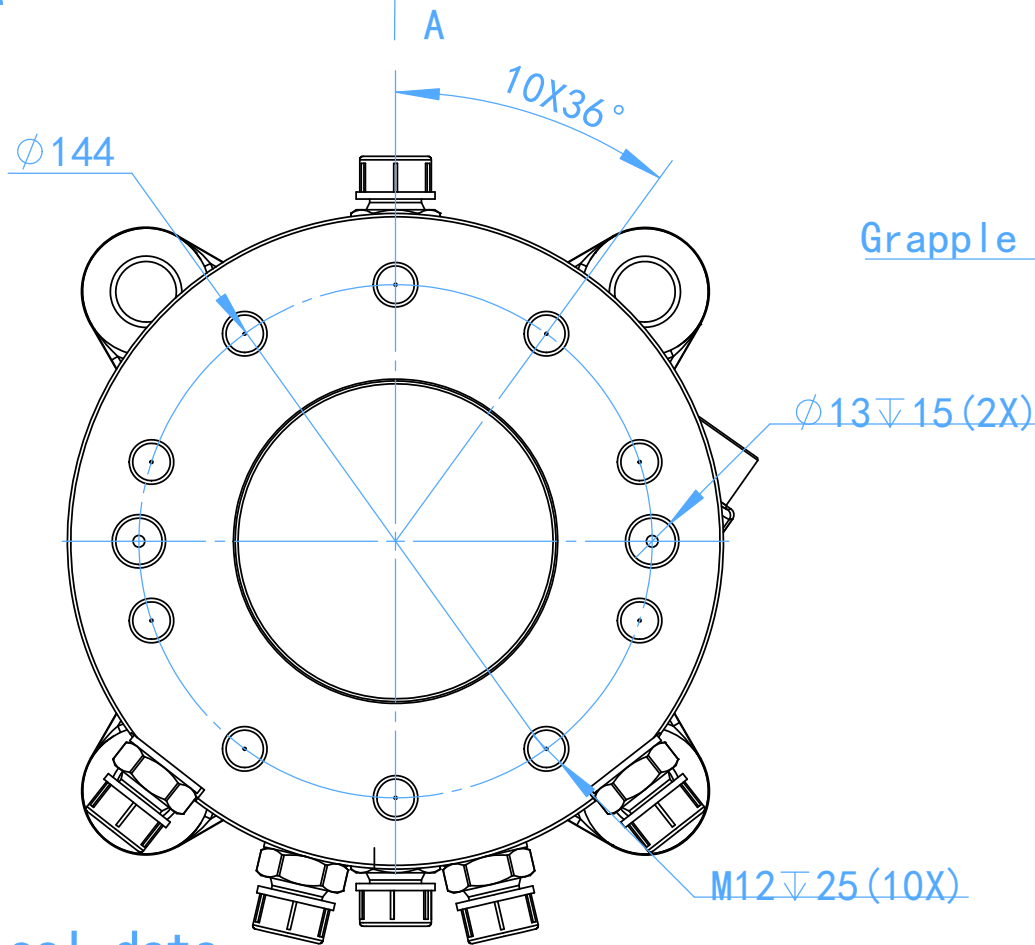
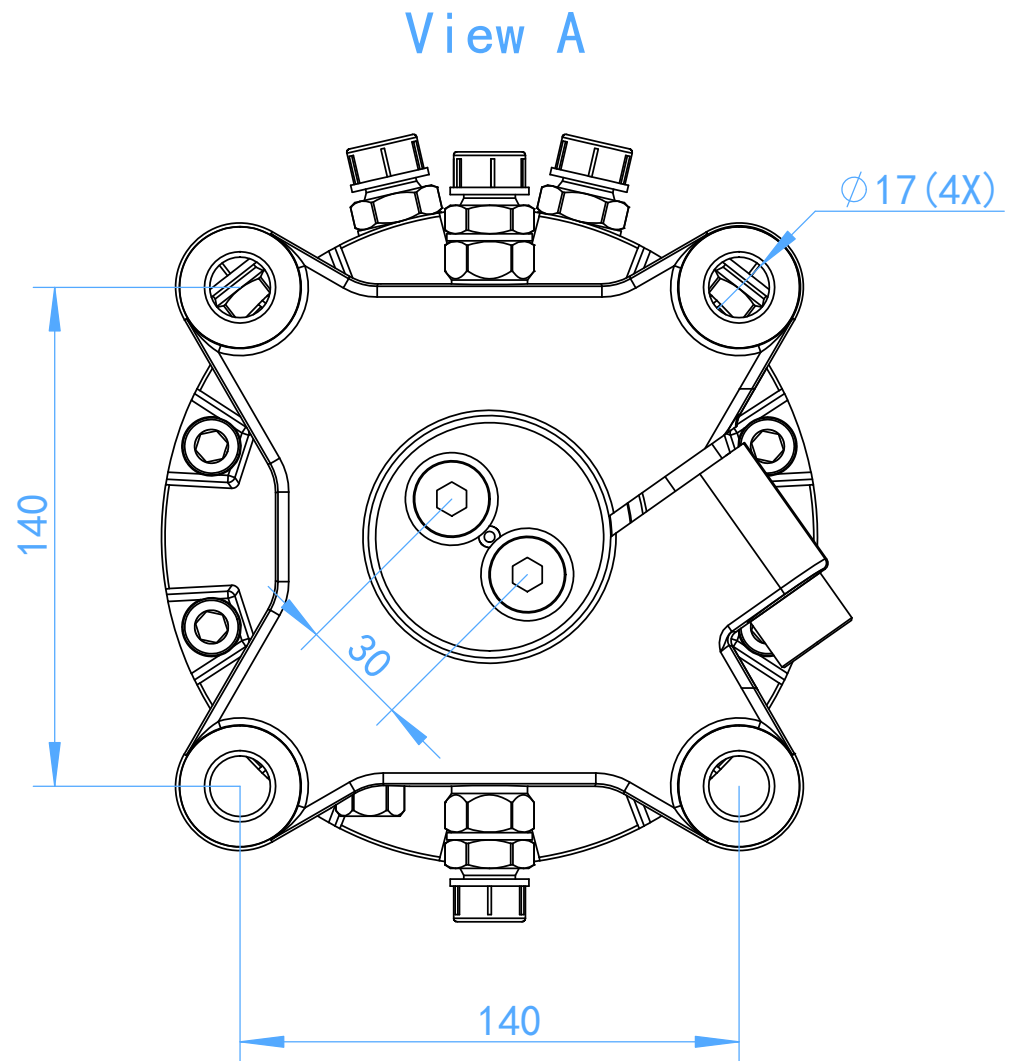
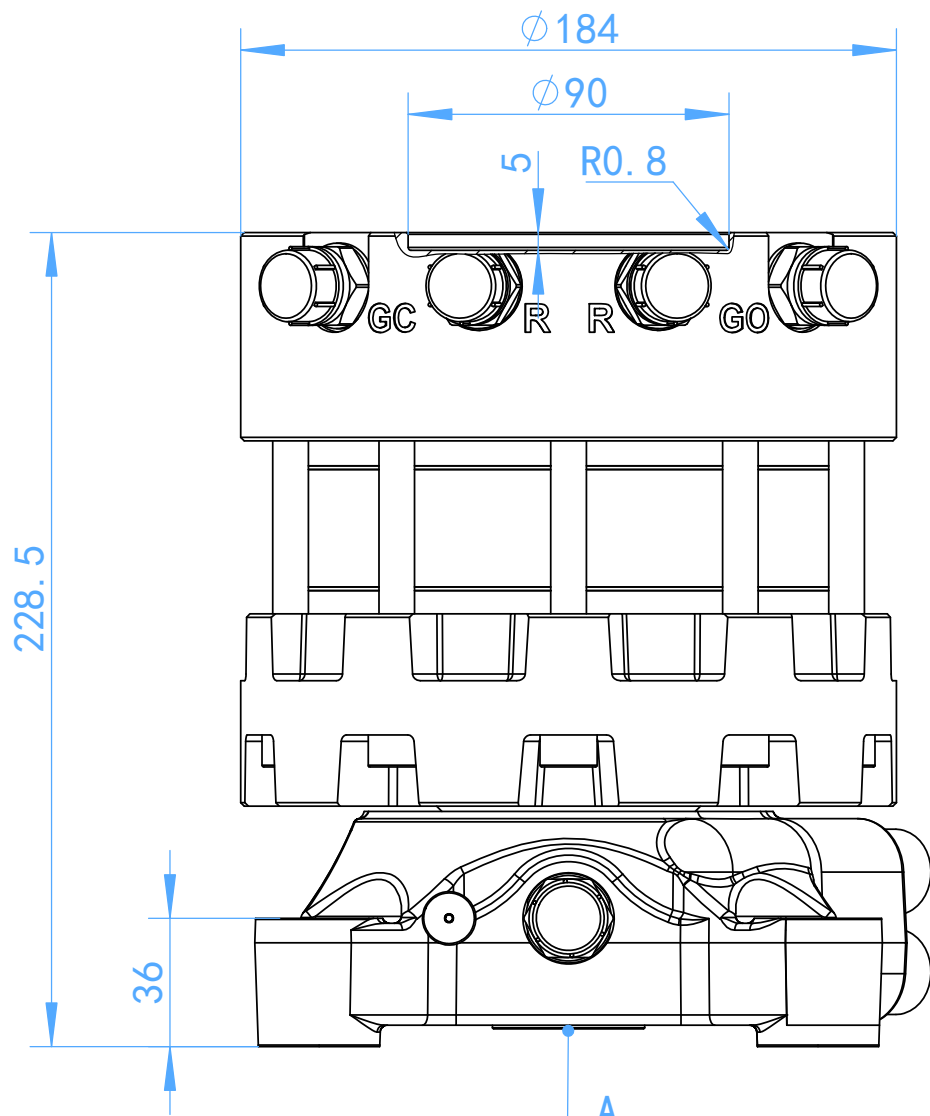


# ROTATOR GR-50CF/140



## Technical data

Rotation	Unlimited
Max axial load static, KN (lbf)	+45 (10116) -34 (7643)
Max axial load dynamic, KN (lbf)	+25 (5620) -17 (3821)
Torque at 25Mpa (3625psi), Nm (lb ft)	1300 (959)
Rec oilflow, l/min (US gallon)	22 (5.8)
Weight, kg (lb)	35 (78)

## Max working pressure:

Rotator	←R→	Max 25 MPa (3625 psi)
Grapple / Tool open	←G→	Max 20 MPa (2900 psi)
Grapple / Tool close	→G←	Max 30 MPa (4350 psi)

## Connection:

G 3/8
G 3/8
G 3/8

BOSSWORTH INDUSTRIAL GROUP LIMITED

Add: No. 75 Beima Road Zhifu District Yantai City Shandong China.

Tel : +86-18660535723

Fax: +86-535-6242686

Email: bsw@bossworth.net

www.bossworth.net

**BOSSWORTH**

2022. 5. 21