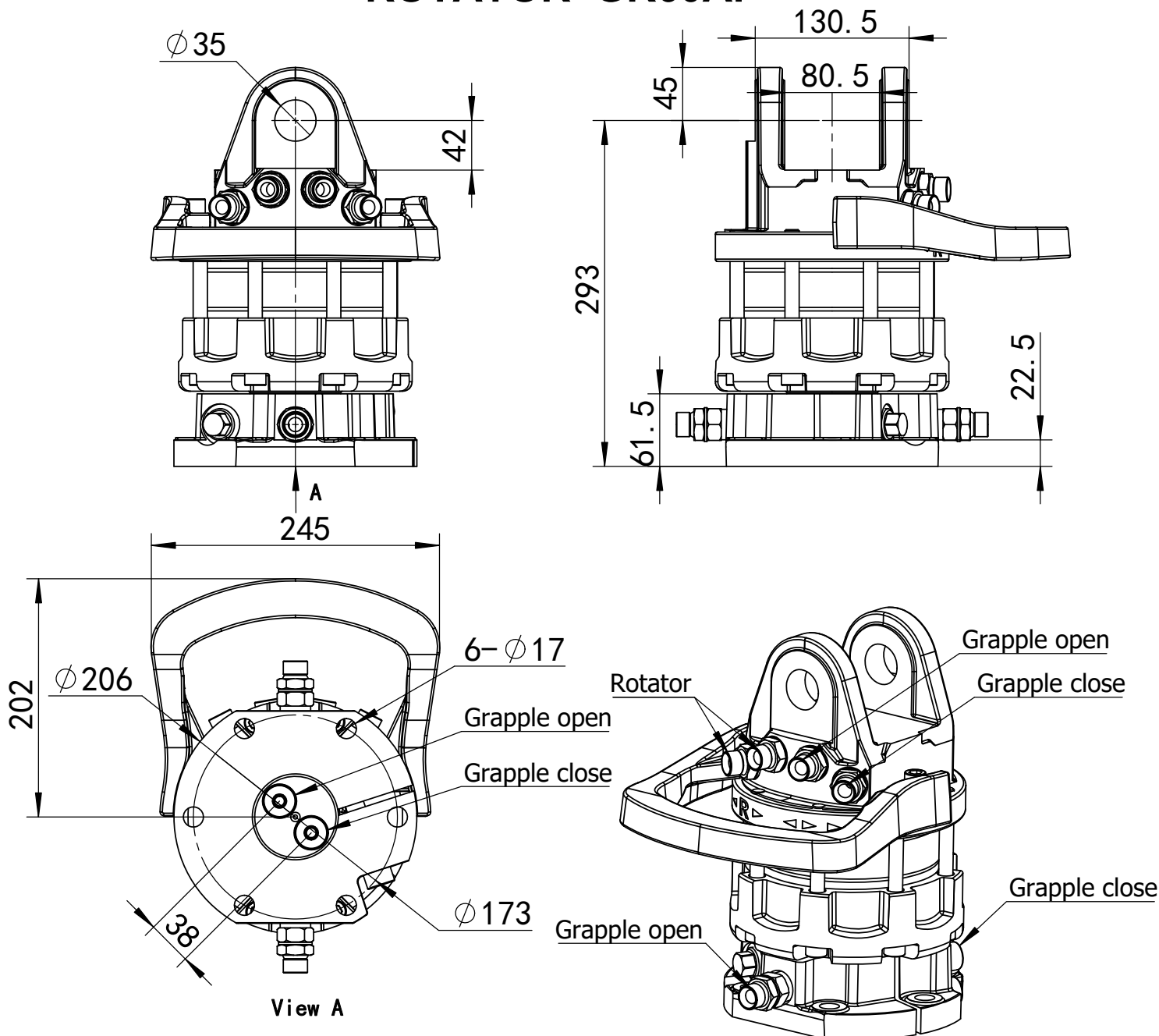


ROTATOR GR60AF



Technical data

Rotation	Unlimited
Max axial load static, KN (lbf)	+60 (13491) - 50 (11242)
Max axial load dynamic, KN (lbf)	+30 (6745) - 25 (5621)
Torque at 25Mpa (3625psi), Nm (lb ft)	1800 (1328)
Rec oilflow, l/min (US gallon)	25 (6.6)
Weight, kg (lb)	45 (99)

Max working pressure:

Connection:

Rotator	←R→	Max 25 MPa (3625 psi)	G1/2
Grapple / Tool open	←G→	Max 20 MPa (2900 psi)	G1/2
Grapple / Tool close	→G←	Max 30 MPa (4350 psi)	G1/2

BOSSWORTH

BOSSWORTH INDUSTRIAL GROUP LIMITED

Add: No. 75 Beima Road Zhifu District Yantai City Shandong China.

Tel : +86-18660535723

Fax: +86-535-6242686

Email: bsw@bossworth.net

www.bossworth.net